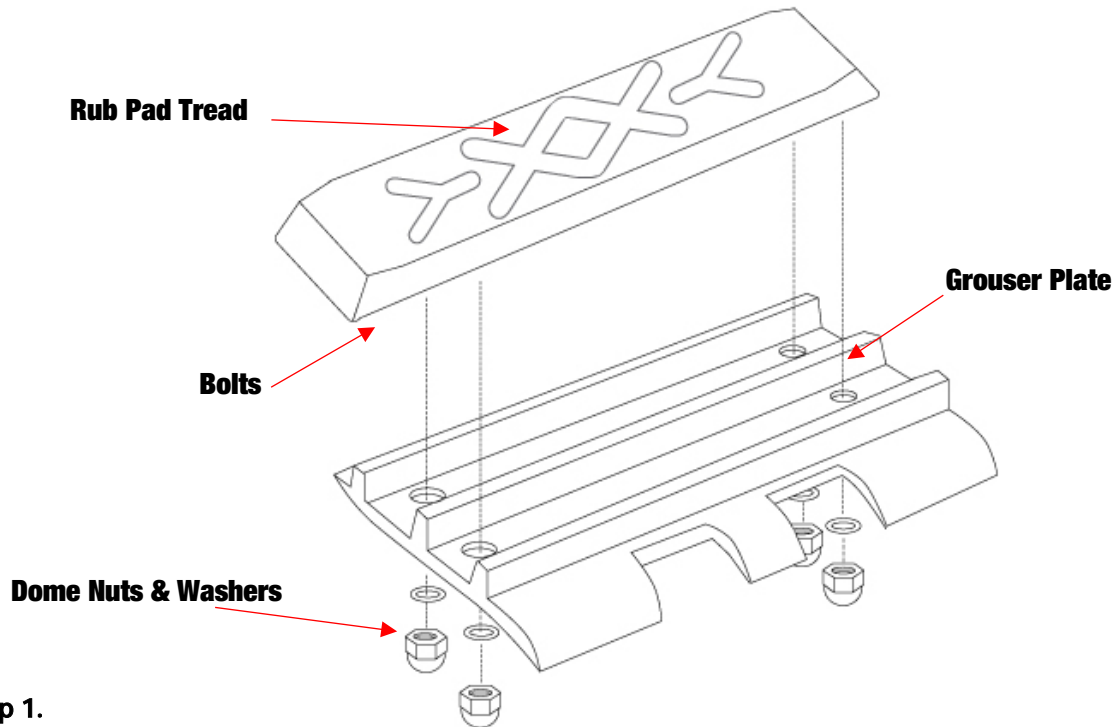


How to install Bolt-On Rubber Pads



Step 1.

If the Bolt-on Rubber Pads are being installed onto new machines skip to Step 2. If being fitted to used machines, ensure all mud and other debris have been removed from the surface of the grouser blades before fitting the new pads.

Step 2.

Position the Pad bolts (on the underside of the pad) in-line with the pre-drilled holes on the grouser plate.

Step 3.

Place the rubber pad firmly onto the grouser plate and fasten with spring washers and dome nuts from the underside of the grouser plate.

Step 4.

Use an impact wrench to fasten the bolts and nuts. Tighten further with an offset wrench.

Step 5.

Once all the rubber pads have been installed, move the machine forward slowly to check they have been fitted securely and adjust if necessary.

Torque Setting for Bolt on Rubber Pads

Bolt Size – Metric (mm)	Bolt Size – Imperial (inches)	Torque	Dekk Pad Size (varies)
M12	1/2	99Nm	200mm
M14	9/16	158Nm	450mm
M16	5/8	217Nm	500mm
M20	3/4	499Nm	600mm

These torque settings are a guide only, refer to your machines Operating and User Manual for the recommended torque settings.

Call DEKK on 1300 335 528, email sales@dekktrack.com.au or visit our website www.dekktrack.com.au for more information.