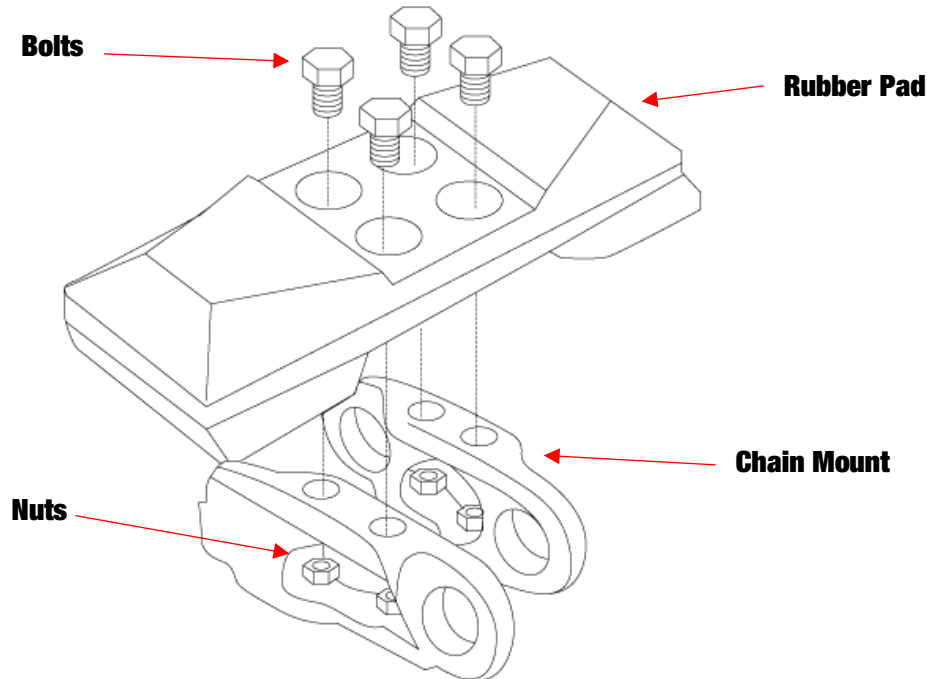


How to install Chain-On Rubber Pads



Step 1.

If the Chain-on Rubber Pads are being installed onto new machines skip to Step 2. If being fitted to used machines, ensure all mud and other debris have been removed from the surface of the grouser blades before fitting the new pads.

Step 2.

Position the Pad holes in-line with the holes on the chain mounts and fasten the bolts onto the chain mount nuts.

Step 3.

Use an impact wrench to fasten the bolts. Tighten further with an offset wrench.

Step 4.

It is recommended you install the rubber pads onto every chain link rather than every second to evenly distribute the weight of the machine.

Step 5.

Once all the rubber pads have been installed, move the machine forward slowly to check they have been fitted securely and adjust if necessary.

Torque Setting for Bolt on Rubber Pads

Bolt Size – Metric (mm)	Bolt Size – Imperial (inches)	Torque	Dekk Pad Size (varies)
M12	1/2	142Nm	200mm
M14	9/16	227Nm	450mm
M16	5/8	353Nm	500mm
M20	3/4	690Nm	600mm

These torque settings are a guide only, refer to your machines Operating and User Manual for the recommended torque settings.

Call DEKK on 1300 335 528, email sales@dekktrack.com.au or visit our website www.dekktrack.com.au for more information.