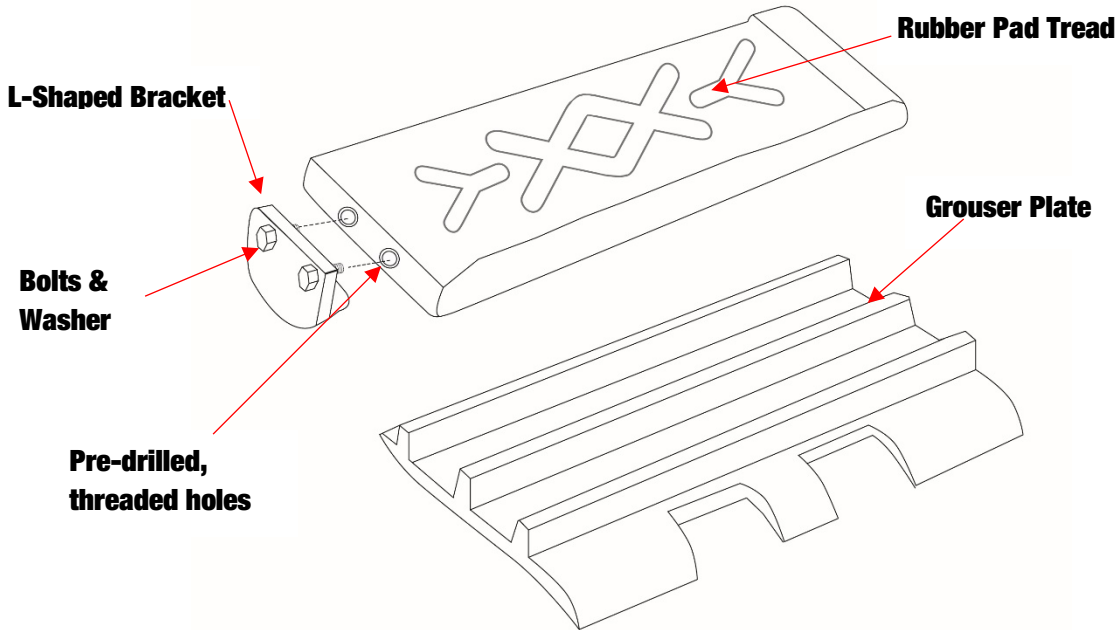


How to install Clip-On Rubber Pads



If the Clip-on Rubber Pads are being installed onto new machines skip to Step 2. If being fitted to used machines, ensure all mud and other debris have been removed from the surface of the grouser blades before fitting the new pads.

Step 2.

Hook the attached L-shaped bracket onto the inner end of the crawler shoe and then close the opposite end with another L-shaped bracket and screw in bolts.

Step 3.

Position the Rubber Pad onto the grouser plate, fitting the L shaped bracket into position to secure the rubber pad.

Step 4.

Use an impact wrench to fasten the bolts and nuts. Tighten further with an offset wrench.

Step 5.

Once all the rubber pads have been installed, move the machine forward slowly to check they have been fitted securely and adjust if necessary.

Torque Setting for Clip on Rubber Pads

Bolt Size – Metric (mm)	Bolt Size – Imperial (inches)	Torque	Dekk Pad Size (varies)
M12	1/2	142Nm	200mm
M14	9/16	227Nm	450mm
M16	5/8	353Nm	500mm
M20	3/4	690Nm	600mm

These torque settings are a guide only, refer to your machines Operating and User Manual for the recommended torque settings.

Call DEKK on 1300 335 528, email sales@dekktrack.com.au or visit our website www.dekktrack.com.au for more information.