

DEKK Bolt-on rubber pads have been designed and manufactured to be easily bolted onto existing steel tracks on excavators, skid steers and crawler carrier machines to help alleviate surface damage caused by steel tracks and improve overall machine performance. The core features and benefits of our Bolt-on rubber pads include:



(Dome nuts and washers included)

### 1 BOLT ON STYLE

Enables the rubber pad to be bolted directly onto existing steel grouser plates for quick and easy installation using chrome dome nuts & washers. They help to prevent damage occurring to the pad bolt and allow for ease of replacement and extended pad use.



### 2 HEAVY DUTY RUBBER COMPOUND

The rubber compound provides greater strength and wear resistance in all types of applications and conditions. Reduces vibration and noise in the machine during operation.

### 3 SOLID STEEL CORE PLATE

A heavy duty rubber compound is fully molded around a 4mm solid steel core plate adding strength and reducing pad flex and delamination for improved pad performance and extended operating life.

### 4 TREAD PATTERNS DESIGNED FOR IMPROVED TRACTION

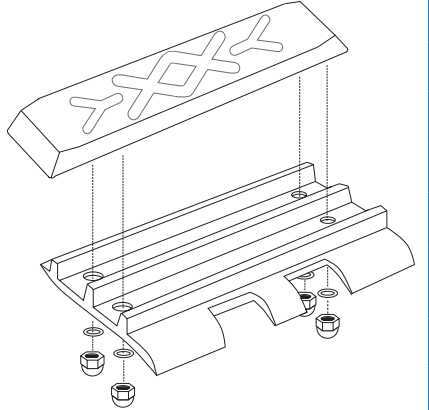
Reduces surface damage and negative impact to the environment.

### 5 ALL RUBBER PADS ARE PACKED IN SECURE BOXES

Packed in sets of two in clearly labelled boxes for ease of identification. Transport, delivery and handling is greatly improved.



TECHNICAL SPECIFICATIONS	
Pad Width	250mm to 800mm
Style	Bolt On
Nut Type	Dome
Core Bar	4mm steel
Rubber Compound	Heavy duty, natural & synthetic fibre virgin rubber
Pad Life	3 to 5yrs*
Warranty	12mths



\* Based on normal operating conditions of the equipment.

**12 MONTH  
FULL-REPLACEMENT  
WARRANTY  
ON ALL RUBBER PADS**

**GUARANTEED TO FIT  
YOUR MACHINE  
OR YOUR  
MONEY BACK**

The quality and performance of DEKK rubber pads is reinforced with our 12-month Full Replacement Warranty for all DEKK rubber pads sold Australia wide. In addition we also guarantee that they will fit your machine or your money back.

**1300 335 528**  
[sales@dekktrack.com.au](mailto:sales@dekktrack.com.au)  
[www.dekktrack.com.au](http://www.dekktrack.com.au)

**DEKK**  
 RUBBER TRACKS & PADS

DEKK Clip-on rubber pads have been designed and manufactured to be easily fitted to existing steel tracks on excavators, skid steers and crawler carrier machines to help alleviate surface damage caused by steel tracks and improve overall machine performance. The core features and benefits of our Clip-on rubber pads include:

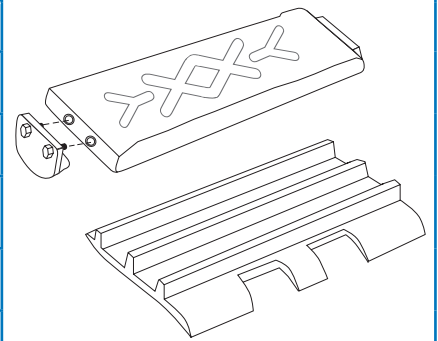


(Nuts, bolts & clip included)

- 1 CLIP ON STYLE**  
 Enables the rubber pad to clip directly onto the end of the existing steel grouser plate and be securely tightened for quick and easy installation. Used when pre-drilled holes do not exist on the grouser plate.
- 2 HEAVY DUTY RUBBER COMPOUND**  
 The rubber compound material provides greater strength and wear resistance in all types of applications and conditions. It also reduces vibration and noise in the machine during operation.
- 3 SOLID FORM STEEL CORE PLATE**  
 A heavy duty rubber compound is fully molded around a 4mm solid steel core plate adding strength and reducing pad flex and delamination for improved pad performance and extended operating life.
- 4 TREAD PATTERNS DESIGNED FOR IMPROVED TRACTION**  
 Reduces surface damage and negative impact to the environment.
- 5 ALL RUBBER PADS ARE PACKED IN SECURE BOXES**  
 Packed in sets of two in clearly labelled boxes for ease of identification. Transport, delivery and handling is greatly improved.



TECHNICAL SPECIFICATIONS	
Pad Width	250mm to 800mm
Style	Clip On
Core Bar	4mm steel
Rubber Compound	Heavy duty, natural & synthetic fibre virgin rubber
Pad Life	3 to 5yrs*
Warranty	12mths



\* Based on normal operating conditions of the equipment.

**12 MONTH  
FULL-REPLACEMENT  
WARRANTY  
ON ALL RUBBER PADS**

**GUARANTEED TO FIT  
YOUR MACHINE  
OR YOUR  
MONEY BACK**

The quality and performance of DEKK rubber pads is reinforced with our 12-month Full Replacement Warranty for all DEKK rubber pads sold Australia wide. In addition we also guarantee that they will fit your machine or your money back.

**1300 335 528**  
**sales@dekktrack.com.au**  
**www.dekktrack.com.au**

**DEKK**  
 RUBBER TRACKS & PADS

DEKK Chain-on rubber pads have been designed and manufactured to be easily chained directly onto the track chain on excavators, skid steers and crawler carrier machines to help alleviate surface damage caused by steel tracks and improve overall machine performance. The core features and benefits of our Chain-on rubber pads include:



(Nuts and bolts included)

**1 HEAVY DUTY RUBBER COMPOUND**

Provides greater strength, increased wear resistance and reduced vibration and noise. Ideal for use in rail work applications to prevent rail damage on equipment dedicated to operating on sealed surfaces.

**2 CHAIN ON STYLE**

Enables the rubber pad to be bolted directly onto the track chain using track bolts rather than grouser plates, for quick and easy installation.

**3 SOLID FORM STEEL CORE PLATE**

A heavy duty rubber compound is fully molded around a solid steel core plate adding strength and reducing pad flex and delamination for improved pad performance and extended operating life.

**4 TREAD PATTERNS DESIGNED FOR IMPROVED TRACTION**

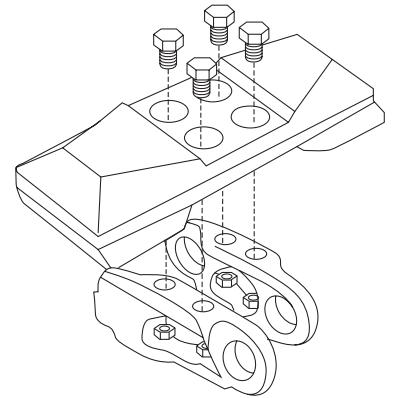
Reduces surface damage and negative impact to the environment.

**5 ALL RUBBER PADS ARE PACKED IN SECURE BOXES**

Packed in sets of two in clearly labelled boxes for ease of identification. Transport, delivery and handling is greatly improved.



TECHNICAL SPECIFICATIONS	
Pad Width	300mm to 800mm
Style	Chain On
Core Bar	6mm to 16mm steel
Rubber Compound	Heavy duty, natural & synthetic fibre virgin rubber
Pad Life	3 to 5yrs*
Warranty	12mths



\* Based on normal operating conditions of the equipment.

**12 MONTH  
FULL-REPLACEMENT  
WARRANTY  
ON ALL RUBBER PADS**

**GUARANTEED TO FIT  
YOUR MACHINE  
OR YOUR  
MONEY BACK**

The quality and performance of DEKK-rubber pads is reinforced with our 12-month Full Replacement Warranty for all DEKK rubber pads sold Australia wide. In addition we also guarantee that they will fit your machine or your money back.

**1300 335 528**  
[sales@dekktrack.com.au](mailto:sales@dekktrack.com.au)  
[www.dekktrack.com.au](http://www.dekktrack.com.au)

**DEKK**  
 RUBBER TRACKS & PADS



DEKK Chain-on Offset rubber pads have been designed and manufactured to be used in rail applications, where machines are regularly moving on and off rail tracks. The Offset pads are chained directly onto the track chain of your machine. The offset position of the pads on the machine allows it to fit within the rail tracks rather than have the entire weight positioned on just the outside edge, reducing pad damage and extending wear life. The core features and benefits of our Chain-on Offset rubber pads include:



(Nuts and bolts included)

**1 HEAVY DUTY RUBBER COMPOUND**

Provides greater strength, increased wear resistance and reduced vibration and noise. Ideal for use in railway applications to prevent damage occurring to the rubber pad.

**2 SOLID FORM STEEL CORE PLATE**

A heavy duty rubber compound is fully molded around a solid steel core plate, adding strength and reducing pad flex and delamination. Improves pad performance & extends operating life.

**3 OFFSET - CHAIN ON STYLE**

The bolt holes are positioned off-centre to allow the pads to be positioned within the rail tracks when fitted. Reduces pad damage and extreme wear from occurring.

**4 TREAD PATTERNS DESIGNED FOR IMPROVED TRACTION**

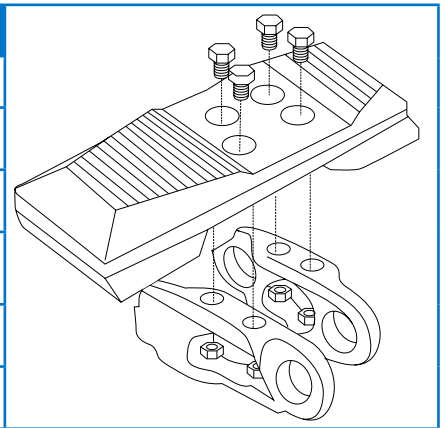
Helps improve machine manouverability and control.

**5 ALL RUBBER PADS ARE PACKED IN SECURE BOXES**

Packed in sets of two in clearly labelled boxes for ease of identification. Transport, delivery and handling is greatly improved.



TECHNICAL SPECIFICATIONS	
Pad Width	300mm to 800mm
Style	Chain On - Offset
Core Bar	6mm to 16mm steel
Rubber Compound	Heavy duty, natural & synthetic fibre virgin rubber
Pad Life	3 to 5yrs*
Warranty	12mths



\* Based on normal operating conditions of the equipment.

**12 MONTH  
FULL-REPLACEMENT  
WARRANTY  
ON ALL RUBBER PADS**

**GUARANTEED TO FIT  
YOUR MACHINE  
OR YOUR  
MONEY BACK**

The quality and performance of DEKK rubber pads is reinforced with our 12-month Full Replacement Warranty for all DEKK rubber pads sold Australia wide. In addition we also guarantee that they will fit your machine or your money back.

**1300 335 528**  
[sales@dekktrack.com.au](mailto:sales@dekktrack.com.au)  
[www.dekktrack.com.au](http://www.dekktrack.com.au)